

## MULTI-PURPOSE CALL LATCH MODULE

The NC889ERM Multi-Purpose Call Latch Module allows any device with a normally open switch to generate standard and/or emergency calls on an 800 Series Call System **and** provides a reset facility for cancelling these calls.

This flexibility makes the Module particularly useful for installers wishing to apply 800 Series call point electronics to custom-made switch assemblies.

A red confidence LED is included on the Module (see Figure 1). This can be found at the end of two flying leads and, depending on the application, should be left visible for the user to confirm when a call has been made. Alternatively, if this is not required or is impractical, it can be used solely by the engineer as an installation set-up aid.

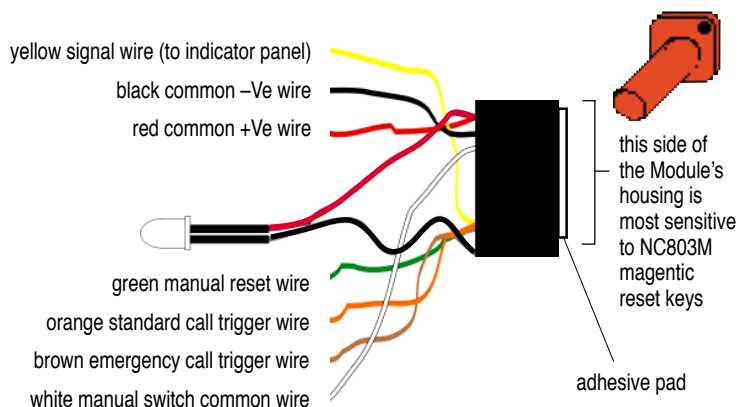
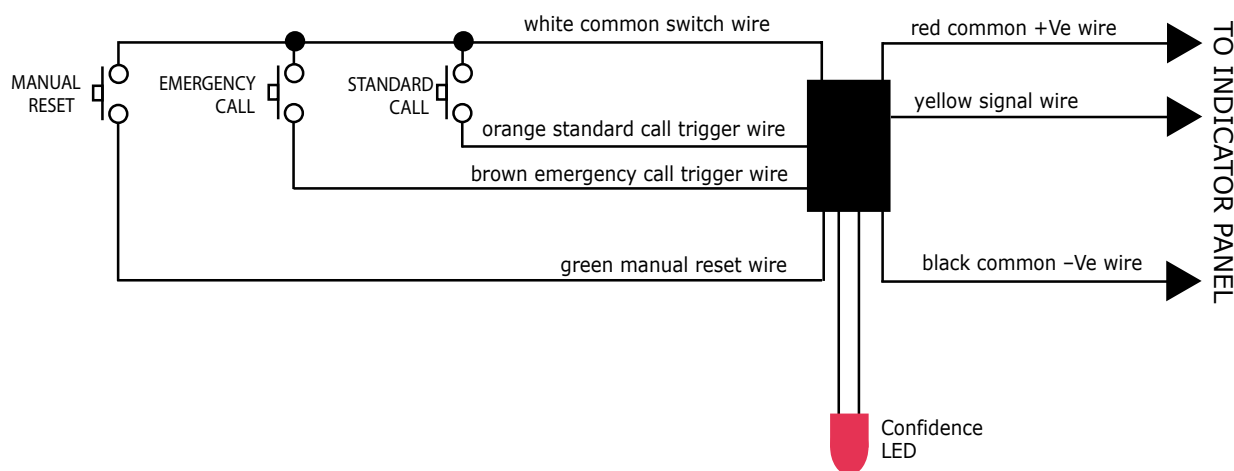


FIGURE 1 : NC889ERM CALL LATCH MODULE

Depending on the wiring configuration used, standard and/or emergency calls can be triggered by utilising the Module's orange, brown and white wires (see Figure 2 for example wiring). Any calls generated can be reset via the Module's on-board magnetic reset facility (see Figure 1 for location details) or by utilising it's green and white wires (see Figure 2 for example wiring). Both methods of reset will cancel standard and/or emergency calls.

FIGURE 2 : TYPICAL WIRING OF NC889ERM



The NC889ERM Multi-Purpose Call Latch Module has an operating temperature range of 0°C to 40°C and should be located no more than two metres away from any operating switch(es). A small adhesive pad is supplied with the Module for location purposes. However, depending on the application/temperatures/areas in which the Module is to be used, other methods of securing it should be considered as appropriate.

Care should be taken not to trap any of the Module's wires in any enclosure(s) and any unused wires must be terminated properly and separately.

The physical dimensions of the Module are 30mm high x 20mm wide x 15mm deep. The approximate length of it's flying leads are 75mm.

For installers who are familiar with other 800 Series Call System devices, it may be useful to note that the potential functionality of the Module is similar to the NC802DEB-1/2 and NC802DEM Emergency Call Points.