

12V RELAY UNIT

THIS EQUIPMENT MUST BE INSTALLED BY A SUITABLY SKILLED AND TECHNICALLY COMPETENT PERSON

The NC883D is a general purpose, double-pole, polarised 12V 5A relay specifically designed for use in a wide range of 800 Series call system applications. It can be triggered directly from any of the call system's signal lines provided +12V and -V are supplied to its supply terminals. It is typically used to switch extra low voltages to control sirens, strobes, door releases, etc (as illustrated in figure 1) but can also switch mains voltages, provided the guidelines in figure 2 are followed. The unit incorporates a high intensity LED which illuminates red when the relay is active and a white 'write on' box for the addition of personalised text such as equipment locations. It is designed to mount on 25mm flush or surface single gang back boxes.

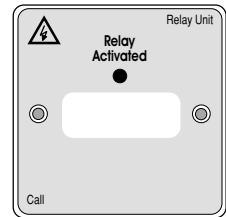


FIGURE 1 : EXAMPLE WIRING CONFIGURATION (EXTRA LOW VOLTAGE SWITCHING)

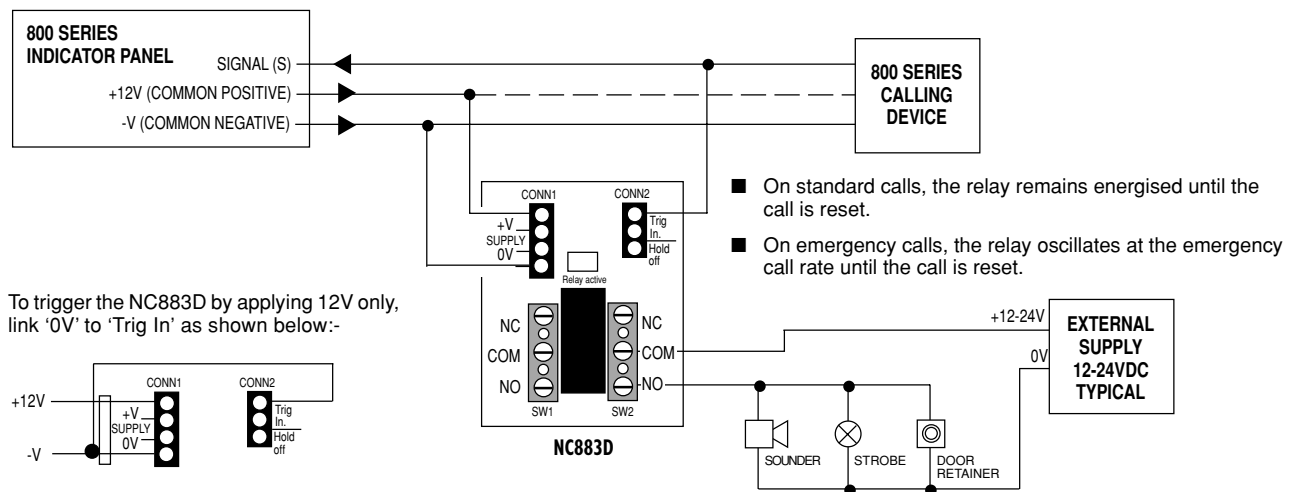
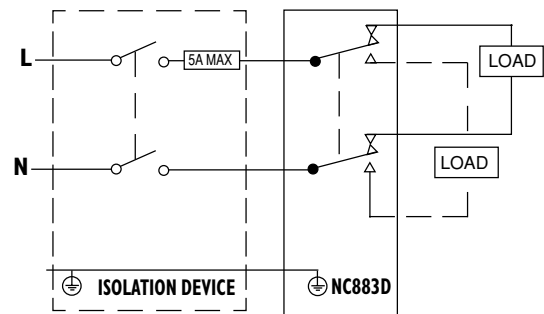


FIGURE 2 : EXAMPLE WIRING CONFIGURATION (MAINS SWITCHING)

All mains wiring should be provided in accordance with the current edition of the IEE Wiring Regs.16th.Ed. (BS7671 1993) or in accordance with the relevant national wiring rules.

The general requirement for any mains supply to the NC883D is fixed wiring, using three core cable, not less than 1mm², fed from an isolating switch fuse spur, fused at 5A max. This should be exclusive to the NC883D and its load and be labelled accordingly. (As an alternative to a switched fused spur, any double pole isolating device with a contact separation of 3mm or greater which is fitted with suitable in-circuit protection devices and meets the appropriate national wiring regulations, can be used).



IMPORTANT NOTES

- All low voltage wiring must be segregated from mains wiring.
- The relay contacts must not be used to switch extra low voltage and mains wiring at the same time.
- Safety earths must never be switched.
- Ensure all earths are properly terminated in the back box or at an appropriate terminal block.
- If removing the NC883D's PCB from its mounting plate for chassis mounting in other equipment, only use good quality insulating spacers and always ensure there is adequate distance between the PCB terminals and chassis base.

TECHNICAL SPECIFICATION

Contact rating @ 12V d.c.: 5A (resistive) 2A (inductive)
 Contact rating @ 240V a.c.: 5A (resistive) 2A (inductive)
 Current consumption: typically 45mA @ 14V d.c.
 Supply voltage range: 9.5 to 14 V d.c.

The guaranteed operating Trigger Input (Trig.In) level must be at least 4V less than the actual applied supply voltage
 The guaranteed non-operating Trigger Input (Trig.In) level must be within 1V of the actual applied supply voltage