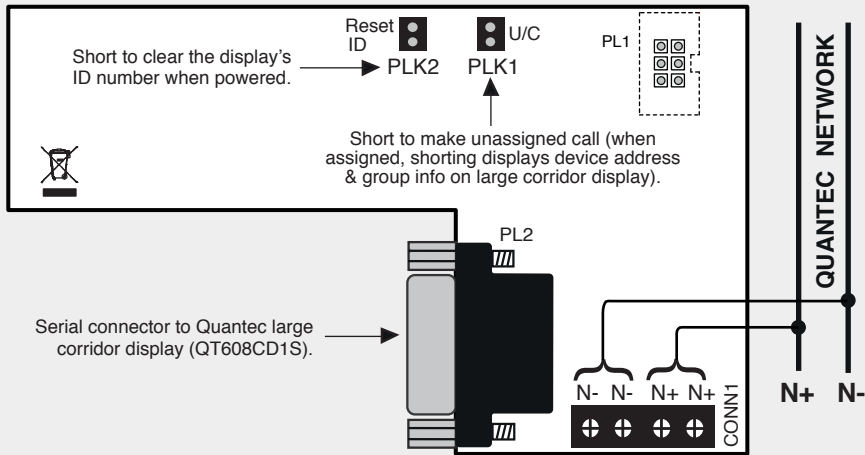


Quantec QT615S Display Interface - Wiring Instructions



IMPORTANT NOTE:
The depth of the back box
should be at least 20 mm.