

ZFP Decor Frame & Door - Installation Instructions

Part Nos. ZBEZDS & ZBEZDS/SS

THIS INSTRUCTION IS FOR EXPERIENCED INSTALLERS ONLY

Product Overview

Various wall-mounted, bezel decor frames (complete with glazed doors) are available for the ZFP range of fire control panels. These decorative frames can provide security and allow the fire panel's visual appearance to be reduced, or easily matched to a specific building finish.

This instruction covers the following variants for the ZFP standard cabinet: ZBEZDS - painted steel, bezel decor unit; ZBEZDS/SS - stainless steel version.

Each glazed door requires a lock kit which is supplied separately: ZBEZD/CL (Knob/Camlock kit) or ZBEZD/SL (Electromagnetic solenoid lock kit). Contact your distributor for details.

Installing the Decor Frame

The decor frame should be securely wall-mounted to the ZFP panel. One installation method is to screw wooden batons to the ZFP's back box (either top & bottom, or left & right side, or all around), then screw the decor frame to the wooden batons using the mounting holes provided in the frame. Refer to the diagrams below for more details (all dimensions in mm).

CAUTION: The decor frames are heavy! Therefore, use suitable fixings when wall mounting the frames.

It is recommended that both the keyswitch on the front of the ZFP's front panel and the glazed door on the decor frame be removed before the frame is mounted. To remove the glazed door, first open it fully to the left (do not overbend the hinges) then, by hand, pull out (inwards direction) the door's two metal hinge pins and lift it off. Refit the door using the reverse procedure.

Decor Unit Mechanical Specification	
Materials / Finish	Frame – Zintec / Painted RAL7035 (optional) Frame – Stainless Steel / Natural (optional) Front window – Polycarbonate
Type of lock	Pull knob (optional) Key operated camlock (optional) Electromagnetic solenoid lock (optional)
Decor Unit Dimensions	
Overall Dimensions (w x h x d)	647 mm x 642.5 mm x 45 mm (Depth excludes lock height)
Mounting holes	8 off (5.2 mm diameter)

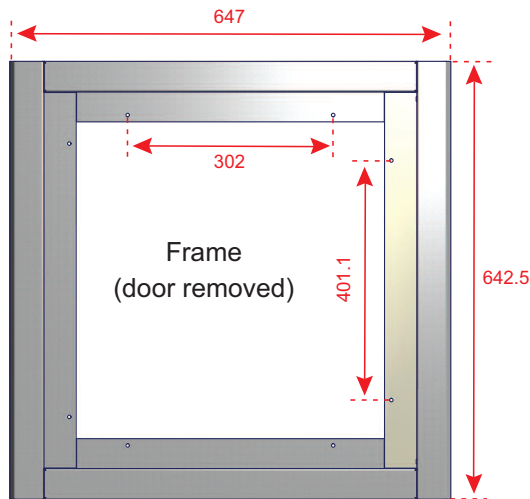


Cleaning

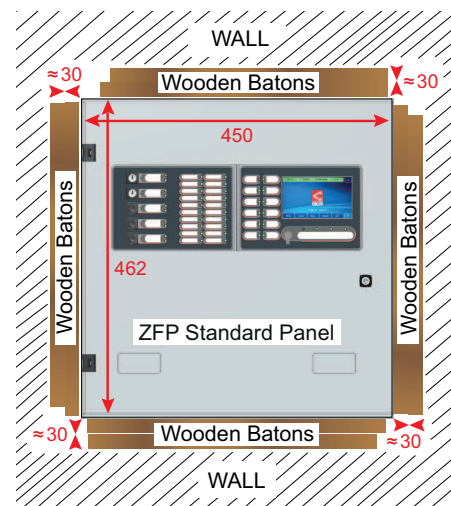
Routine cleaning of the stainless steel decor unit can be accomplished by using warm water and a mild detergent. Dry with a cloth to prevent water spots. Wipe down with baby oil on a paper towel, going with the grain.

Screw decor frame to wooden batons and refit glazed door

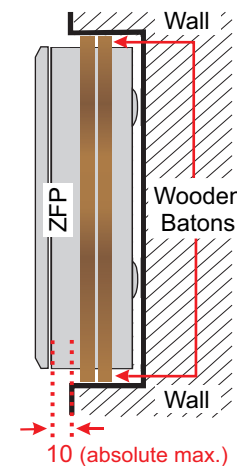
Remove decor frame's glazed door



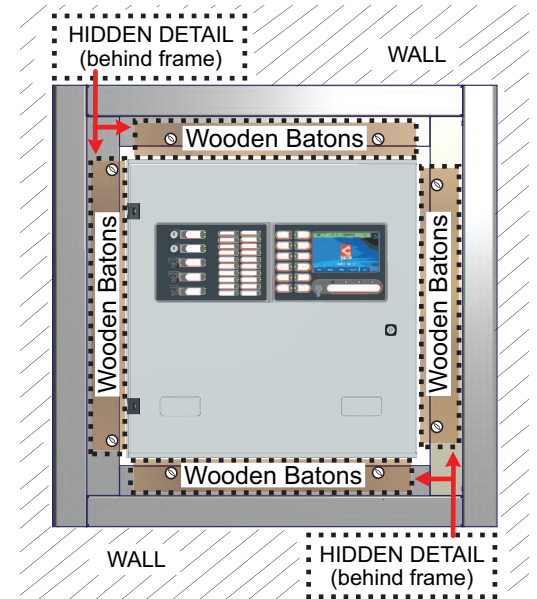
Screw wooden batons to ZFP's back box



Check for adequate clearance between decor frame (not shown) and ZFP



Dimension shown above is from the wall surface to the top of the ZFP's back box. Remove keyswitch from the ZFP's front panel before fitting decor frame.



Errors & Omissions Excepted. The manufacturer of this product operates a policy of continuous improvement and reserves the right to alter product specifications at its discretion and without prior notice.